

## Nominal data

Type	4182 NXH	
Nominal voltage	VDC	12
Nominal voltage range	VDC	7 .. 14
Speed	min <sup>-1</sup>	4400
Power input	W	11.0
Min. ambient temperature	°C	-30
Max. ambient temperature	°C	55
Air flow	m <sup>3</sup> /h	237
Sound power level	B	6.5
Sound pressure level	dB(A)	57

ml = Max. load · me = Max. efficiency · fa = Running at free air · cs = Customer specs · cu = Customer unit  
Subject to alterations

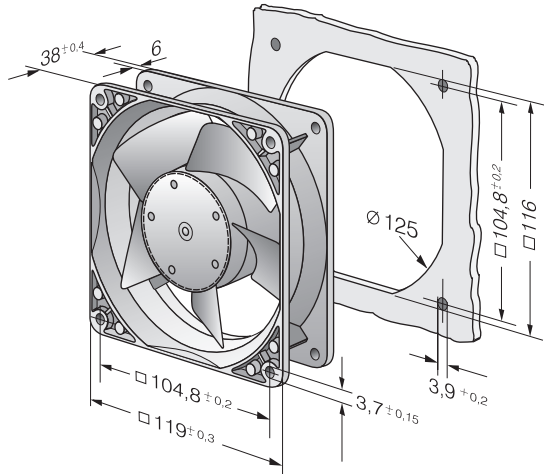
**Technical features**

<b>Impeller material</b>	Fibreglass-reinforced plastic (PA)
<b>Mass</b>	0.390 kg
<b>Dimensions</b>	119 x 119 x 38 mm
<b>Housing material</b>	Die-cast aluminium
<b>Direction of air flow</b>	Inlet over bars
<b>Direction of rotation</b>	Clockwise, looking at rotor
<b>Bearing</b>	Ball bearings
<b>Lifetime L10 at 40 °C</b>	70000 h
<b>Lifetime L10 at maximum temperature</b>	50000 h
<b>Connection line</b>	Flat plugs 2.8 x 0.5 mm. Optionally also available with strands.
<b>Motor protection</b>	Protected against reverse polarity and locking.
<b>Approval</b>	VDE, CSA, UL

4182 NXH

# DC axial compact fan

## Product drawing



Charts: Air flow

